

FUTEK MODEL IHH500

Intelligent Digital Handheld Display

Drawing Number: FI1329-A

INCH [mm]



PERFORMANCE:

- 24 bits Internal Resolution
- Up to 20 bits ($\pm 500,000$ counts) Noise Free Resolution
- 5 to 4800 Sample per Second Selectable Rate
- High Accuracy ($\pm 0.001\%$)
- Low Non-linearity ($\pm 0.001\%$)
- Minimum Bridge Resistance: 30 ohm

INPUT:

- Input Range up to $\pm 500\text{mV/V}$ (Strain Gauge)
- Input Range $\pm 12\text{VDC}$ (Amplified Input)
- Input Range up to 30 mA (Amplified Input)
- Leading and Lagging TTL input*

OUTPUT:

- USB Output
- ASCII Stream
- Precision 5.000V Excitation
- 24V/ 5V Supply
- Analog Voltage (0-5 or ± 5 VDC)
- Analog Current (0-20, 4-20, 0-25, 5-25 mA)
- Selectable Voltage and Current Configuration
- Two Individual Relay Outputs

FEATURES:

- 21k Point Data Logging
- Speed/ Angle/ Power Measurement*
- Bridge Resistance Measurement
- Keypad Options (Track/Hold, Peak/Valley Reset, Unit, Tare/ Gross, Shunt, Battery, Display, Menu)
- First Peak/ First Valley Feature
- User Friendly Navigation Menu
- Shunt Calibration
- Universal Unit Conversion
- 14 Sensor Profile Storage
- Supports IEEE145.4 Standard (TEDS 30 & 33)

LCD:

- 16 x 4 character LCD with Selectable Height (0.18 [4.75] and 0.49 [12.55])
- 6 Digit Display Plus Sign and Decimal Point or 7 Digit Plus Sign Depending On Application
- LCD Auto Power-off
- Brightness/ Contrast Adjustment

BATTERY:

- Rechargeable Battery Operated
- Battery Life up to 30 Hours (Depending on the Load)
- Battery Lifetime Monitoring

BATTERY CHARGER:

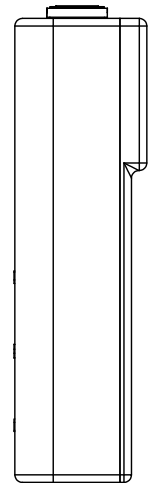
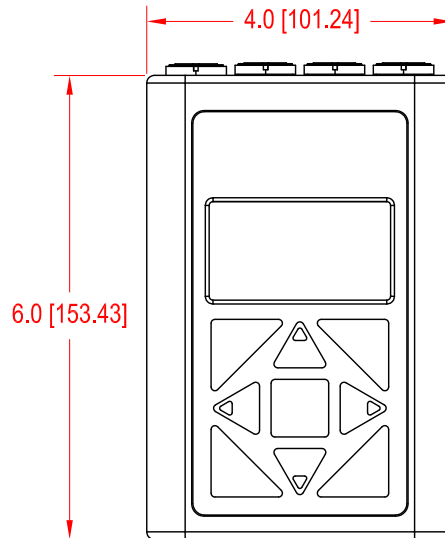
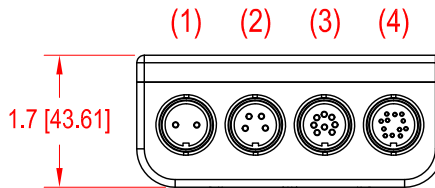
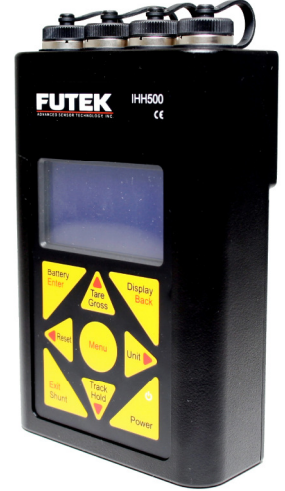
- Input: 100-240 VAC - 0.5 A 50/60 Hz
- Output: 12 VDC - 1.2 A

WEIGHT:

- 1.85 lb (840 g)

CONNECTORS:

- (1) Power Connector: Binder 09 0104 99 02
Mating Connector: Binder 99 5101 00 02
- (2) USB Connector: Binder 09 0112 99 04
Mating Connector: Binder 99 5109 00 04***
- (3) Output Connector: Binder 09 0174 99 08
Mating Connector: Binder 99 5171 00 08**
- (4) Sensor Connector: Binder 09 0132 90 12
Mating Connector: Binder 99 5129 00 12**



ENVIRONMENT:

- Operating Temperature: -4°F (-20°C) to 158°F (70°C)
- Storage Temperature: -22°F (-30°C) to 176°F (80°C)

ITEM #'S:

- FSH03460: IHH500 - Elite Display w/ Accessory Kit
- FSH03571: IHH500 - Pro Display
- FSH03583: IHH500 - Accessory Kit
- FSH03569: IHH500 Power Supply Adaptor
- FSH03570: IHH500 USB Cable**
- FSH03189: SensIT Instrument**
- GOD03025: Bracket**
- FSH03572: IHH500 Analog/Relay Output Cable**

*Only available in Elite version **Included with Elite version ***Optional



This drawing is submitted solely for the information and exclusive use of the original addressee. It is not to be divulged in whole or in part, by any firm or individual without written permission from FUTEK

CAGE CODE # 1X8M6

10 THOMAS
IRVINE, CA 92618 USA
1-800-23-FUTEK (38835)

INTERNET:
<http://www.futek.com>

FUTEK MODEL LCF400 (L2920)

TENSION AND COMPRESSION LOAD CELL REPLACEMENT FOR LEBOW MODEL 3132

Drawing Number: FI1043-D

INCH [mm] | R.O.= Rated Output

WIRING CODE (CC1 STANDARD / CC1T)

+Excitation	-Excitation	+Signal	-Signal
RED PIN 'A'	BLACK PIN 'B'	GREEN PIN 'C'	WHITE PIN 'D'

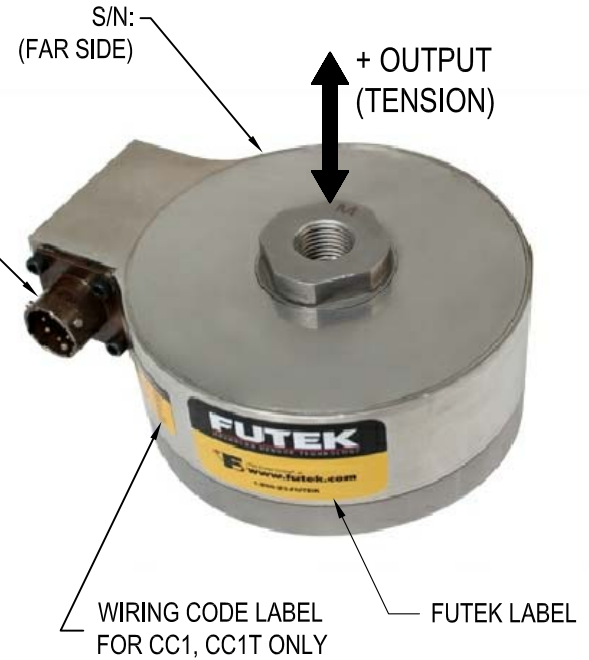
+Sense/ TEDS Data* -Sense/ TEDS Gnd*

ORANGE PIN 'E'	BLUE PIN 'F'
-------------------	-----------------

*TEDS VERSIONS ONLY

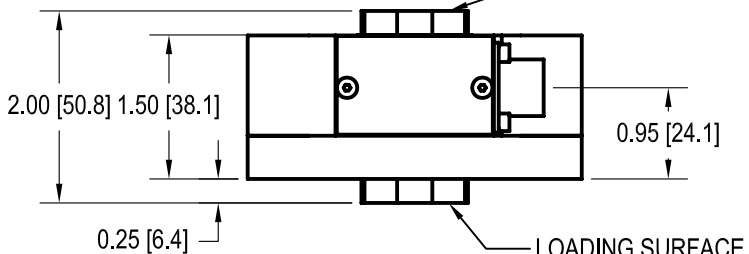
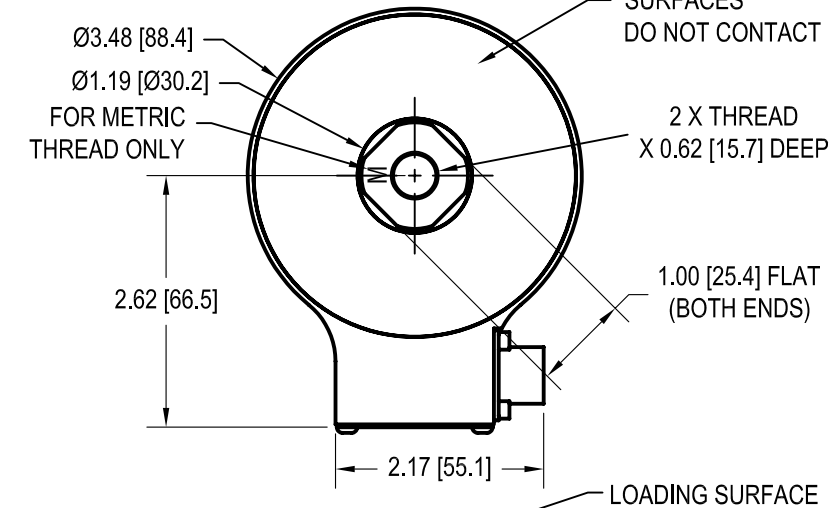
WIRING CODE (CC2) OPTIONAL

+Excitation	-Excitation	+Signal	-Signal
RED PIN 'A'	BLACK PIN 'D'	GREEN PIN 'B'	WHITE PIN 'C'



BENDIX RECEPTACLE
PT02A-10-6P
*MATING CONNECTOR
PT06A-10-6S-SR
(NOT INCLUDED)

NON LOADING
SURFACES
DO NOT CONTACT

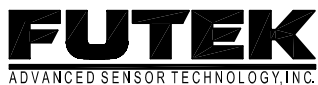


SPECIFICATIONS:

- RATED OUTPUT: 3 mV/V nom., (1.5 mV/V nom. for 250 lb versions)
- SAFE OVERLOAD: 150% of R.O.
- ZERO BALANCE: ±1% of R.O.
- EXCITATION (VDC OR VAC): 18 MAX
- BRIDGE RESISTANCE: 700Ω nom.
- NONLINEARITY: ±0.1% of R.O.
- HYSTERESIS: ±0.1% of R.O.
- NONREPEATABILITY: ±0.05% of R.O.
- TEMP. SHIFT ZERO: ±0.002% of R.O./°F [0.0036% of R.O./°C]
- TEMP. SHIFT SPAN: ±0.002% of LOAD/°F [0.0036% of LOAD/°C]
- COMPENSATED TEMP.: 60 to 160°F [15 to 71°C]
- OPERATING TEMP.: -65 to 200°F [-54 to 93°C]
- WEIGHT: approx. 3 lb [1.4 Kg]
- MATERIAL: Stainless Steel
- DEFLECTION: 0.002 to 0.005 [0.05 to 0.13] nom.
- CONNECTOR: 6 Pin BENDIX Receptacle (PT02A-10-6P)
- ACCESSORIES AND RELATED INSTRUMENTS AVAILABLE
- CALIBRATION (STD): 5pt. TENSION; 87.325KΩ (150 KΩ for 250 lb) SHUNT CAL. VALUE
- CALIBRATION (AVAILABLE): COMPRESSION
- CALIBRATION TEST EXCITATION: 10 VDC

ITEM #	Capacity		Thread	Wiring Code	
	lb	N		CC1	CC2
FSH03313	250	1112	1/2-20	X	
FSH03316					X
FSH03122	500	2224		X	
FSH00120					X
FSH03123	1000	4448		X	
FSH00121					X
FSH03125	2500	11120		X	
FSH03053					X
FSH03124	5000	22240		X	
FSH00124					X
FSH03314	250	1112	M12x1.75	X	
FSH03130	500	2224		X	
FSH03131	1000	4448		X	
FSH03133	2500	11120		X	
FSH03132	5000	22240		X	

CC1T (TEDS) WIRING CONNECTION AVAILABLE



This drawing is submitted solely for the information and exclusive use of the original addressee. It is not to be divulged in whole or in part, by any firm or individual without written permission from FUTEK
CAGE CODE # 1X8M6

10 THOMAS
IRVINE, CA 92618 USA
1-800-23-FUTEK (38835)

INTERNET:
<http://www.futek.com>