

# PosiTector® 6000 Series

Coating Thickness Gages for  
**ALL** Metal Substrates



Available on the  
App Store



**DeFelsko®**

*The Measure of Quality*

# PosiTector® 6000 Series

## All Gages Feature...

### Simple

- Ready to measure—no adjustment required for most applications
- Enhanced one-handed menu navigation
- Flashing display—ideal in a noisy environment
- RESET feature instantly restores factory settings

### Durable

- Solvent, acid, oil, water and dust resistant—weatherproof
- Wear-resistant probe tip
- Shock-absorbing, protective rubber holster with belt clip
- Two year warranty on gage body AND probe

### Accurate

- Certificate of Calibration showing traceability to NIST included
- Built-in temperature compensation ensures measurement accuracy
- Hi-RES mode increases displayed resolution for use on applications that require greater precision
- Conforms to national and international standards including ISO and ASTM

### Versatile

- PosiTector body universally accepts all PosiTector 6000, 200, SPG, DPM and UTG probes easily converting from a coating thickness gage to a surface profile gage, dew point meter or ultrasonic wall thickness gage
- Multiple calibration adjustment options including 1 point, 2 point, known thickness, average zero
- Selectable display languages
- Hi Contrast backlit display for bright or dark environments
- Flip Display enables right-side-up viewing
- Extended cables available (up to 75 m/250 ft) for remote measuring
- Uses alkaline or rechargeable batteries (built-in charger)

### Powerful

- Continually displays/updates average, standard deviation, min/max thickness and number of readings while measuring
- Screen Capture—save screen images for record keeping and review
- HiLo alarm audibly and visibly alerts when measurements exceed user-specified limits
- FAST mode—faster measurement speed for quick inspection
- USB port for fast, simple connection to a PC and to supply continuous power. USB cable included
- PosiSoft USB Drive—stored readings and graphs can be accessed using universal PC/Mac web browsers or file explorers. No software required
- Every stored measurement is date and time stamped
- Software updates via internet keep your gage current
- Connects to PosiSoft.net (see far right panel)

## Probes available for a variety of applications



For measuring paint, powder, etc. on all metals...



...and for measuring galvanizing, plating, anodizing and more.

## Gage Selection...

### Select Substrate

- F — for ferrous metals (steel and cast iron)
- N — for non-ferrous metals (aluminum, copper, etc.)
- FN — for all metal substrates—Gage automatically recognizes the substrate and takes a measurement

### Select Standard or Advanced Features

#### Standard Models

##### Includes ALL features as shown on left plus...

- Monochrome display with transreflective technology enhances sunlight readability
- Storage of 250 readings—stored readings can be viewed or downloaded

#### Advanced Models

##### Includes ALL features as shown on left plus...

- Hi Contrast reversible color LCD
- Storage of 100,000 readings in up to 1,000 batches and sub-batches
- Onscreen help, real time graphing, picture prompting and more
- Batch annotation—add notes and change batch names with onscreen QWERTY keyboard
- WiFi technology wirelessly synchronizes with PosiSoft.net, downloads software updates and connects with mobile devices for expanded functionality
- Data transfer via USB to a PC or via Bluetooth® Wireless Technology to a PC or printer
- Scan mode—take continuous readings without lifting the probe
- Multiple stored calibration adjustments for measuring on a variety of substrate conditions
- SSPC-PA2 feature determines if film thickness over a large area conforms to user-specified min/max levels
- PSPC 90/10 feature determines if a coating system complies with an IMO performance standard for protective coatings

### Select from a variety of measurement ranges and probe styles

(see back page ordering guide)

Heavy-duty, gold-plated locking connector for industrial environments



Separate Probe Style

Removable Probes can be detached and replaced with any one of our wide variety of probes including separate probes and microprobes



Built-in Probe Style



FKS

90°

0°

45°

Regular

## Rugged Features...

Sealed USB Port  
for communicating  
with a PC or Mac

Water and dust  
resistant

**WEATHERPROOF**

Hi resolution color LCD

Scratch/solvent/impact  
resistant lens

Multi-function  
navigation button

Solvent, acid, oil  
resistant, high grade,  
industrial strength  
housing

**Advanced  
Model shown  
in Memory Mode**

Quality high-flex  
cable and strain relief

Stainless steel probe  
with knurled finger grip

Strong wear-resistant  
ruby-tipped probe

All Regular Separate Probes  
are suitable for underwater use



Standard model shown in Statistics Mode with shock-absorbing, protective rubber holster



FHXS Probe with Alumina wear face and braided cable for hot or rough surfaces



Flip Display enables right-side-up viewing



Microprobe series for small parts and hard-to-reach areas



## PosiSoft® ... FREE SOLUTIONS for viewing, analyzing and reporting data:

**PosiSoft USB Drive** Connect to a PC/Mac using the supplied USB cable to access and print stored readings, graphs, photos, notes and screen captures. No software or internet connection required.



**PosiSoft.net** A web-based application offering secure centralized management of PosiTector readings. Access your data from any web-connected device.



**PosiSoft Software** Newly updated version 3.0 desktop software for PC or Mac. Available as a free download.

**PosiSoft Mobile** Access readings, graphs, capture photos and update annotations using WiFi enabled devices such as tablets, smart phones and computers. (Advanced models only)



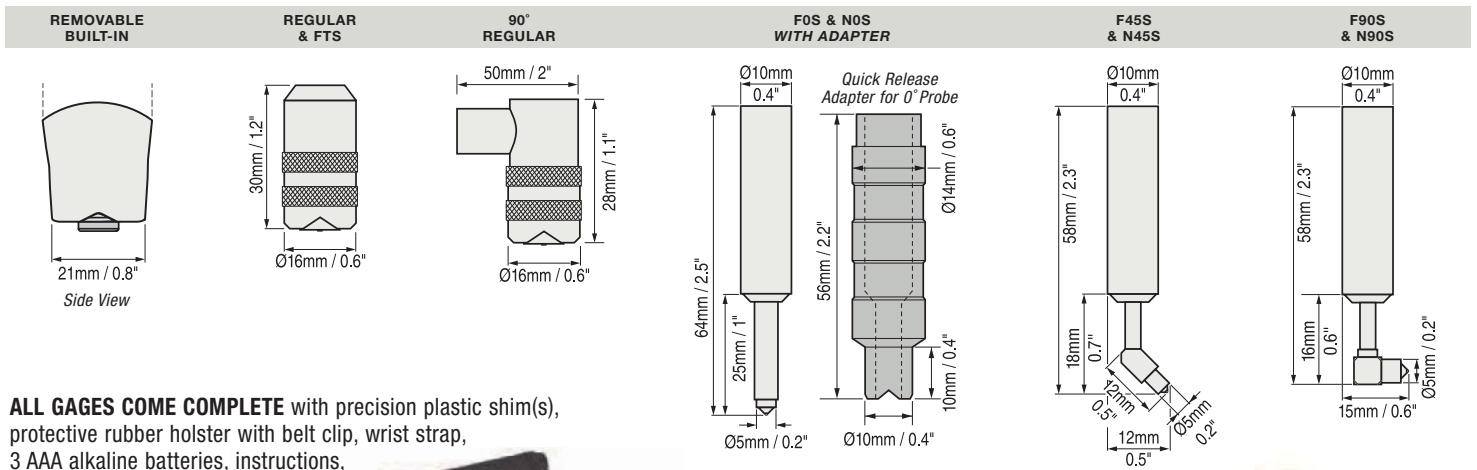
PosiTector  
bodies accept  
all 6000, 200,  
SPG, DPM and  
UTG probes



PosiTector® 6000 Series <b>ORDERING GUIDE</b>		Our most popular Removable Built-in and Regular Separate probe models			90° Regular probe for tight spots			Ideal for anodized aluminum			Microprobes – Our smallest probes for small parts or hard-to-reach areas			Removable Built-in and Separate probes for thick protective coatings; epoxy, rubber, intumescent fireproofing and more			
<b>FERROUS PROBES</b>	Standard	F1	FS1	FRS1		FOS1	F45S1	F90S1	FT1	FTS1	FHXS1*	FKS1	FLS1				
	Advanced	F3	FS3	FRS3		FOS3	F45S3	F90S3	FT3	FTS3	FHXS3*	FKS3	FLS3				
<b>NON-FERROUS PROBES</b>	Standard	N1	NS1	NRS1	NAS1	NOS1	N45S1	N90S1				NKS1					
	Advanced	N3	NS3	NRS3	NAS3	NOS3	N45S3	N90S3				NKS3					
<b>COMBINATION PROBES</b>	Standard	FN1	FNS1	FNRS1						FNTS1				FNGS1**			
	Advanced	FN3	FNS3	FNRS3						FNTS3				FNGS3**			
<b>Range</b>		0–60mils 0–1500µm			Ferrous: 0–45mils and 0–1150µm Non-Ferrous: 0–25mils and 0–625µm			0–250mils 0–6mm		0–400mils 0–10,000µm	0–500mils 0–13mm	0–1.5inches 0–38mm	0–2.5inches 0–63.5mm				
<b>Accuracy†</b>		±(0.05mil+1%) 0–2mils ±(0.1mil+1%) >2mils ±(1µm+1%) 0–50µm ±(2µm+1%) >50µm			±(0.02mil+1%) 0–4mils ±(0.1mil+3%) >4mils ±(0.5µm+1%) 0–100µm ±(2µm+3%) >100µm			±(0.5mil+1%) 0–100mils ±(0.5mil+3%) >100mils ±(0.01mm+1%) 0–2.5mm ±(0.01mm+3%) >2.5mm		±(0.1mil+3%)	±(1mil+3%)	±(0.01in.+3%)	±(0.2mm+3%)				
<b>Matching DeFelsko Calibration Standards</b>		STDS1 STDA1			STDS2 STDA2			STDP1		STDP7	STDP5	STDP8	STDP8 (included)				

**Ferrous probes** measure non-magnetic coatings on ferrous metals. **Non-Ferrous probes** measure non-conductive coatings on non-ferrous metals. **\*FHXS Xtreme probe** with Alumina wear face and braided cable measures non-conductive coatings on steel. Ideal for rough or hot surfaces up to 250° C (500° F). **\*\*FNGS probe** measures non-conductive coatings on all metals. †Accuracies are stated as a fixed value plus a percentage of the gage's actual reading.

### Probe Details (All probe details can be found online at [www.defelsko.com/p6000/probes](http://www.defelsko.com/p6000/probes))

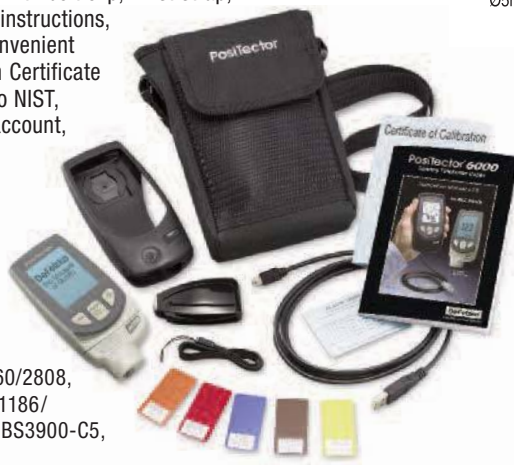


**ALL GAGES COME COMPLETE** with precision plastic shim(s), protective rubber holster with belt clip, wrist strap, 3 AAA alkaline batteries, instructions, protective lens shield, convenient carrying case, Long Form Certificate of Calibration traceable to NIST, USB cable, PosiSoft.net account, two (2) year warranty.

**SIZE:** 137 x 61 x 28 mm (5.4" x 2.4" x 1.1")

**WEIGHT:** 140 g (4.9 oz.) without batteries

Conforms to ISO 2178/2360/2808, ISO 19840, ASTM B499/D1186/ D1400/D7091/E376/G12, BS3900-C5, SSPC-PA2 and others



### Options

**Bluetooth Printer** receives data from Advanced models

**AC Power Kit** for continuous operation or battery charging—works in any country

**Coating Thickness Standards** to fulfill both ISO and in-house quality control requirements

**Rechargeable Batteries**—a set of eneloop NiMH AAA batteries

**Extended Cables** for under-water or remote measuring. Specify length when ordering.



**DEFELSKO CORPORATION**  
802 Proctor Ave., Ogdensburg, New York 13669-2205 USA  
**Toll Free 1-800-448-3835** Tel: +1-315-393-4450 Fax: +1-315-393-8471  
techsale@defelsko.com www.defelsko.com



# PosiSoft® Solutions

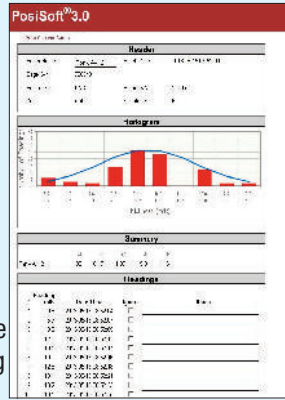
## Suite of Software

The PosiSoft suite of software solutions offers 4 FREE ways to view and report your data, ranging from dedicated desktop software for PC and Mac computers to cloud-based PosiSoft.net.

### PosiSoft® 3.0 Desktop Software

Newly updated version 3.0 desktop software for PC or Mac computers

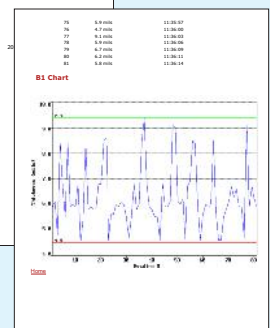
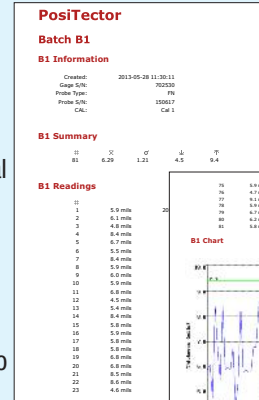
- Import (download) measurement data via USB (all gages) or WiFi (PosiTensor Advanced models only)
- Customize reports by adding pictures, logos, screen captures, notes and more
- Measurement data is copied (imported) from the instrument to a user selectable location — ideal for storing and sharing data on a network or cloud-drive
- Create custom layouts using a simple drag and drop Template Design toolbox; save layouts for future use
- Downloaded data is stored in comma-separated text files which can easily be imported into supporting applications such as documents, spreadsheets and databases



### PosiSoft® USB Drive

Access your PosiTensor as a flash drive

- View and print readings and graphs using universal PC/Mac web browsers or file explorers
- Measurement data is stored in comma-separated text files which can easily be imported into supporting applications such as documents, spreadsheets and databases
- Simple file management - copy and paste data from the PosiTensor to a local folder on your computer, network or cloud-drive



Preformatted HTML reports are stored in the gage.

### PosiSoft®.net (formerly PosiTensor.net)

A cloud-based application offering secure centralized management of PosiTensor readings. Access your data from any web-connected device anywhere in the world.

- Synchronize measurement data when connected via USB, Bluetooth or WiFi wireless technology
- Generate reports with graphs, annotations and images
- Share measurement data with authorized users via a secure login from any computer or web-enabled device
- Export data to popular formats such as XML, .CSV (comma-separated values), and CQATK for further analysis



### PosiSoft® Mobile

Gage-based software application featured in all PosiTensor Advanced instruments. Access readings, graphs, capture photos and update notations using WiFi enabled devices such as tablets, smart phones and computers

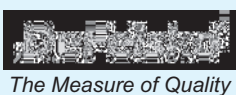
- Browse stored measurement data including notes, images, statistics and charts
- Update batch names/notes using your mobile device's keyboard
- Insert images directly into gage batches using your mobile device's camera or image library
- Remotely view the live display of a working PosiTensor
- Email data as PDF reports or .CSV comma-separated text files
- Accessible from any WiFi enabled computer or smart device using a standard web browser including PC/Mac, Windows Phone/Mobile, Blackberry, Android, Apple iOS and more



### PosiSoft Mobile Manager

is a discovery tool that searches your local area WiFi network for WiFi enabled PosiTensor Advanced instruments.

- Available for Apple iOS and Android users



**DeFelsko Corporation**  
 802 Proctor Ave., Ogdensburg, New York 13669-2205 USA  
**Toll Free: 1-800-448-3835** Tel: +1-315-393-4450 Fax: +1-315-393-8471  
 techsale@defelsko.com www.defelsko.com

