

ANT-5 SDH Access Tester up to STM-16



Key Features

- Smallest and lightest test solution (only 2.2 kg) for interfaces from 1.544 Mbps up to 2.5 Gbps
- Optical testing at dual wavelengths from STM-1/OC-3 up to STM-16/OC-48
- Electrical testing at DS1, E1, E3, DS3, E4, STM-0, and STM-1/OC-3
- Full analysis of concatenated mappings with SDH/SONET signals
- In-depth PDH analysis with Sa bit generation and flexible mux/demux test configuration
- Optical power measurements for verification of physical layer integrity
- ATM functionality for service verification of ATM, 3G, and UMTS networks (provided via T-carrier, PDH, SDH, or SONET)
- In-line Monitor and Intrusive Thru Modes for traffic analysis and network testing
- ECL/NRZ port enables non-intrusive direct monitoring of optical networks

The access network explosion

The modern communications market is challenging network operators in new ways. Because growth from traditional voice services has declined, operators must find new ways to carry more data traffic in order to maintain their revenue stream. However, bandwidth bottlenecks in the access and metro networks have prevented many new high-speed, high-bandwidth services from being efficiently deployed.

Field technicians, who are tasked with installing and maintaining these networks, must learn how to test a wide variety of technologies while they strive to reach new levels of productivity. To perform these tasks, technicians require an increased number of pieces of equipment and additional training to operate each device effectively.

Additionally, operators must be able to manage the conflicting demands of technicians, who need the proper equipment and training to do their jobs, and executives, who are keeping close control on capital expenses and operating costs.

The ANT-5 rises to the challenge

JDSU effectively meets the challenges faced by network operators with the JDSU ANT-5 SDH Access Tester. Designed for field operations, the small, rugged, battery-operated ANT-5 streamlines installation and maintenance testing. Its advanced features and automated functions enable technicians to perform tests quickly and effectively. And, with SDH, PDH, SONET, and ATM combined into a single compact unit, capital investment and training expenses are reduced, minimizing business costs.



The portable solution

The ANT-5’s compact, robust design is ideal for field and central office applications. The convenient, built-in stand and comfortable carry strap enable hands-free testing in any location. And, its extended battery life allows for testing even when AC power is not on hand.

Optional carrying cases protect the ANT-5 when technicians travel between sites and provide a safe and convenient place for storing cables and accessories.

Simplest handheld to learn

Access technicians need a tester that can simplify their key tasks without extensive training. With its large color screen, graphical user interface (GUI), and ergonomic keypad, the ANT-5 is the simplest handheld to learn and use on the market today. Other features include:

- Labelled LEDs that show current and historical alarms
- OK results summary and pass/fail results screen displays
- Auto-save of test results
- Fast store and recall of key network configurations
- Auto-configuration detects actual signal structure
- Automatic testing

Easiest to use

Technicians prefer instruments that are the easiest to use, so that they can concentrate their efforts on measurement tasks rather than on the complex operation of the instrument itself.

The ANT-5 is the most complete instrument, with all of the necessary interfaces already built-in, including T1 Bantam, E1 balanced, and E1 unbalanced up to optical interfaces with STM-16/OC-48. It covers T-carrier, PDH, SDH, and SONET technology, all in one instrument.

The ANT-5’s world-class ease-of-use is based on a clearly structured operation concept: SETUP – RESULTS – ACTIONS.

The ANT-5 offers three operation modes to cover all necessary field applications, including intrusive, non-intrusive, and monitoring modes. An important feature is the ECL/NRZ port for monitoring optical circuits at electrical monitor points provided by network elements (STM-1/-4/-16).

The navigation key allows for simple operation, and the keyboard supports the easy input of comments, file names, etc.

The internal memory can hold hundreds of files. For result analysis and report generation, the ANT-5 allows for the easy transfer of files to the instrument’s Compact Flash Memory Card (CF card). In addition, the Microsoft® Windows®-based Off-line Viewer provides simple results analysis.

For report generation, the Off-line Viewer print functions can be used, supporting any of your desktop printers in your Windows environment.

Application selection

The ANT-5 application menu opens direct access to the following applications:

- Performance Analysis (according to ITU-T, ANSI)
- Repetitive BERT (radio link application)
- Automatic Protection Switching (APS)
- Service Disruption Measurements
- OH Capture
- Round Trip Delay Measurements (RTD)

The corresponding results are directly accessible in the results page structure.

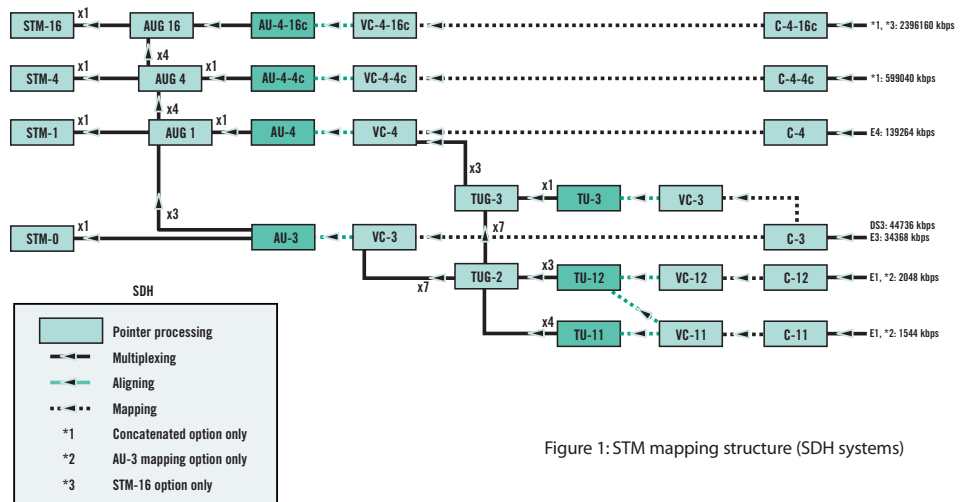


Figure 1: STM mapping structure (SDH systems)

The access technicians’ tool of choice

The ANT-5 provides all of the transmission test functions required in today’s access networks:

- Optical power measurement
- Bit error rate testing
- G.821, G.826, G.828, G.829, ANSI, M.2100, and M.2101 analysis
- Received signal offset measurement
- Transmit signal offset and generation
- Tabular and graphical event recording

Extensive SDH/SONET features

The ANT-5 is loaded with SDH and SONET test features covering all installation and maintenance tasks up to 2.5 Gbps:

- STM-0e, STM-1e/STS-3 interface
- STM-1/OC-3 to STM-16/OC-48 optical ports at dual wavelengths (1310/1550 nm)
- Auto-configuration
- Anomaly generation and analysis
- Defect generation and analysis
- SOH/POH generation and analysis (HEX or clear text format)
- Pointer generation and analysis
- Path trace generation and analysis
- Tandem connection monitoring (TCM) generation and analysis
- APS/service disruption measurements
- RTD measurements
- Automatic tributary scanning
- K-byte capture

Full PDH support

From 1.5 Mbps to 140 Mbps, including nx64 Kbps, the ANT-5 can test all PDH tributaries and legacy PDH hierarchy transmission systems using high-level functions that include E1 Sa bit generation and display.

T-carrier support

The ANT-5 is also equipped with a standard T1 Bantam interface and supports DS1 and DS3 interfaces and structures.

In addition, the multiplexer/demultiplexer (mux/demux) option now supports M13 framing (DS1/DS3) and allows for 64 K channel analysis.

ATM service verification

UMTS network rollout and ADSL growth is increasing the use of ATM in the access network. The ANT-5 enables the installation and maintenance of ATM carried over PDH, SDH, and SONET networks that include:

- DS1, STS-1 SPE, DS3
- E1, E3 (G.832), E4
- VC-4/STS-3c SPE
- VC-4-4c/STS-12c SPE

PVC cells can be generated over UNI and NNI with CBR and VBR traffic load profiles up to STM-4c rates.

Service quality can be checked using BER or O.191 measurements. Link and channel performance can be monitored while traffic statistics are recorded.

Channel Explorer scans automatically for active VCI/VPI and displays the result in tabular form.

3G Network & DSLAM Enhanced Support (Options)

With the 3G roll-out and expansion coupled with the increase in ATM-DSLAMs to support Triple Play, there is a need for enhanced ATM support and IP-Over ATM capability. The ANT-5 enables installation and maintenance of these networks with extended ATM capability:-

- AAL2 Generation and analysis
- AAL5 Generation and analysis
- IP-Ping (Send Ping and Reply To Ping)
- IP-Trace Route
- Inverse Multiplexing in ATM(IMA) monitoring

The Traffic Channel analysis allows the scanning of a range of VPI/VCI channels and reports on the type of traffic and the nature of the traffic.

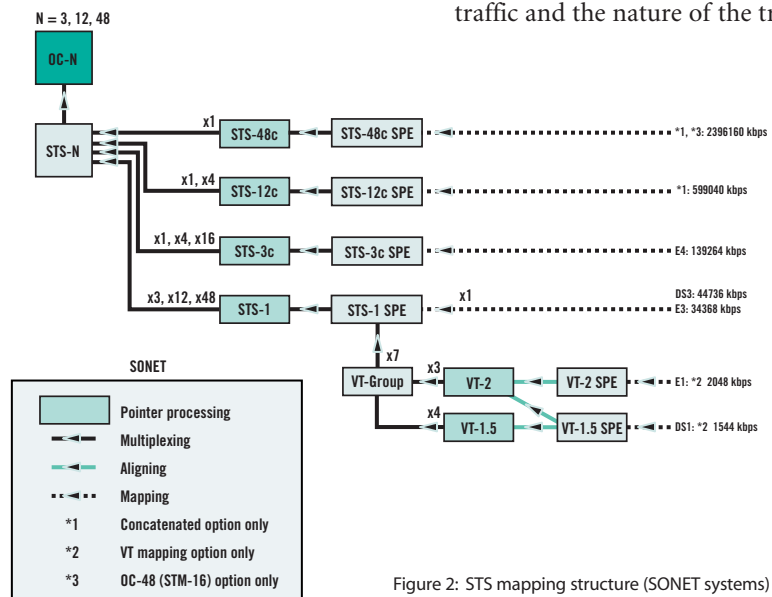


Figure 2: STS mapping structure (SONET systems)

Simple test and results management

Due to its built-in Ethernet port, CF card port, and printer port, the ANT-5 can integrate more effectively and simply with day-to-day operations.

- Export standard test setups to other ANT-5s or PCs via the CF card
- Exchange results over LANs using Windows-based PCs
- Print test reports directly via the serial interface or from a PC using the Off-line Viewer software

Result evaluation (Off-line Viewer)

Results (in ANT-5 format) can be loaded, analyzed, and printed by any Windows-based PC using the ANT-5 Off-line Viewer software.

Off-line Viewer enables the generation of specific setups with easy downloading to the instrument. The user interface can be displayed in the following languages: English, German, French, Italian, Spanish, Portuguese, and Chinese. This Windows-based software, included with each instrument, can also be used for training purposes, providing an excellent product simulation.

Remote GUI

Remote operation is achieved by establishing a suitable communications link over an Ethernet LAN. Once the link has been successfully set up, the PC/laptop can communicate with the ANT-5 using the supplied version of the ANT-5 GUI faceplate.

Advanced remote testing capability

The ANT-5 also provides an advanced remote testing capability over Ethernet. As a result, technicians can poll instruments remotely from their offices, simplifying long-term commissioning and maintenance tests and dramatically reducing travel time and costs. Test results can be saved to any network hard disk or printed from any network printer for convenient analysis.

Flexible, cost-effective platform

The ANT-5's flexible design enables it to be adapted quickly to operators' changing requirements. In addition, its field upgradeable capability, provided by the Compact Flash port, enables technicians in the field to install software in minutes.

Hardware upgrades can be purchased to add optical bandwidths or wavelengths. This protects the initial investment and reduces additional training expenses while allowing operators to match capital expenditures to network rollout plans.

The ANT-5 is an industry-leading access tester that sets new standards for portability, ease of use, and adaptability. It is the ideal device for field technicians who need to test a range of SDH, PDH, SONET, and ATM digital links both onsite and from a remote location. As a result, the ANT-5 provides a significant advantage for companies wishing to optimize quality of service using a cost-effective, industry-proven solution.



Figure 3: View of the right panel showing the CF card, RS-232, T1 Bantam, and ECL/NRZ ports



Figure 4: Off-line Viewer and remote operation (GUI)

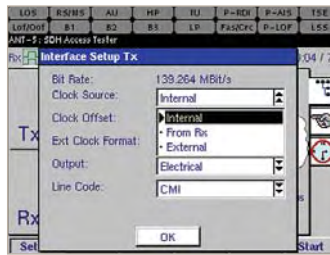


Figure 5: Menu for the external clock



Figure 6: View of the top panel showing the electrical and optical interfaces

Technical Specifications

Electrical Interfaces - G.703 transmitters

BNC 75 Ω unbalanced outputs

| | |
|-----------------------------|------|
| Bit rates and line codes | |
| - 2048, 34368 Kbps | HDB3 |
| - 44736 Kbps ⁽¹⁾ | B3ZS |
| - 51840 Kbps | B3ZS |
| - 139264, 155520 Kbps | CMI |

RJ48 120 Ω balanced output

| | |
|-------------------------|------|
| Bit rate and line codes | |
| - 2048 Kbps | HDB3 |

Electrical Interfaces

BNC 75 Ω unbalanced outputs

| | |
|-----------------------------|------|
| Bit rates and line codes | |
| - 2048, 34368 Kbps | HDB3 |
| - 44736 Kbps ⁽¹⁾ | B3ZS |
| - 51840 Kbps | B3ZS |
| - 139264, 155520 Kbps | CMI |

RJ48 120 Ω balanced output

| | |
|-------------------------|------|
| Bit rate and line codes | |
| - 2048 Kbps | HDB3 |

Clock Recovery

- Pulling range as G.703

Selectable input gain

| | |
|----------------------|-------|
| - 155520 Kbps | 20 dB |
| - 2048, 34368 Kbps | 26 dB |
| - 44736, 139264 Kbps | 26 dB |

T1 Interface

| | |
|-----------------|--------------|
| Connectors | Bantam |
| Input impedance | 100 Ω |
| Bit rate | 1544 Kbps |
| Line code | AMI, B8ZS |

E1 Hi-Z Input

A high input impedance setting for the E1 75 Ω , E1 120 Ω , and T1 100 Ω ports enables these signals to be monitored without a PMP.

⁽¹⁾ANSI T1.101 compliant

Optical Interface (Options)

G.957 optical transmitter and receiver (options)

- Class 1 laser product

| | |
|-------------------------|--|
| Connectors | FC-PC connectors |
| Transmitter wavelengths | Single (1310 nm), Dual (1310 nm and 1550 nm) |
| Line bit rates | 155.52 Mbps, 622.08 Mbps, 2488.32 Mbps |
| Line code | scrambled NRZ |

Optical Transmitter Specifications

| Optical option | Line rate | Wavelength | Tx output power @ 1310 nm | Tx output power @ 1550 nm |
|----------------|-----------|---------------|---------------------------|---------------------------|
| BN4565/00.01 | STM1 | 1310SR | -8 dBm to -15 dBm | |
| BN4565/00.03 | STM1 | 1310SR/1550LR | -8 dBm to -15 dBm | +2 dBm to -4 dBm |
| BN4565/91.13 | STM1/4 | 1310SR | -8 dBm to -15 dBm | |
| BN4565/00.14 | STM1/4 | 1310SR/1550LR | -8 dBm to -15 dBm | +2 dBm to -4 dBm |
| BN4565/91.15 | STM1/4 | 1310LR/1550LR | +2 dBm to -4 dBm | +2 dBm to -4 dBm |
| BN4565/91.16 | STM1/4/16 | 1310LR/1550LR | +3 dBm to -3 dBm | +3 dBm to -3 dBm |

Optical Receiver Specifications

| Optical option | Line rate | Wavelength | Rx dynamic range @ 1100 to 1600 nm | Rx optical overload |
|----------------|-----------|---------------|------------------------------------|---------------------|
| BN4565/00.01 | STM1 | 1310SR | -8 dBm to -28 dBm | N/A |
| BN4565/00.03 | STM1 | 1310SR/1550LR | -8 dBm to -28 dBm | N/A |
| BN4565/91.13 | STM1/4 | 1310SR | -8 dBm to -28 dBm | N/A |
| BN4565/00.14 | STM1/4 | 1310SR/1550LR | -8 dBm to -28 dBm | N/A |
| BN4565/91.15 | STM1/4 | 1310LR/1550LR | -8 dBm to -28 dBm | N/A |
| BN4565/91.16 | STM1/4/16 | 1310LR/1550LR | -8 dBm to -28 dBm | -6 dBm |

Optical Power Measurement

| | |
|---|------|
| Measurement of the received optical signal level Resolution | 1 dB |
|---|------|

Electrical Interfaces

For connecting the ANT-5 to STM-1/OC-3, STM-4/OC-12, and STM-16/OC-48 monitor points

| | |
|------------------------------|-----------------|
| Line code | scrambled NRZ |
| Input voltage (peak-to-peak) | 0.2 to 1 V |
| Coaxial input | |
| Connector/impedance | SMA/50 Ω |

Transmit Clock Synchronization

| | |
|--------------------|---------------|
| Internal stability | ± 3.6 ppm |
| Tx bit rate offset | ± 100 ppm |
| Increment | 0.1 ppm |

External Clock (SDH Transmitter)

| | |
|------------------|---|
| Connector | BNC 75 Ω (120 Ω via external adapter) |
| Reference clock | 1544, 2048 kHz |
| Reference signal | 1544, 2048 Kbps (HDB3) |

Technical Specifications-SDH

SDH Operating Modes

- Terminated Mode
- In-line Monitor Mode
- Intrusive Thru Mode

SDH Output Signals

STM-0 signal consists of one VC-n container with

- Framed or unframed PDH test pattern
- Test pattern without stuffing bits (bulk signal to 0.181)

STM-1 signal consists of one VC-n container with

- Framed or unframed PDH test pattern
- Test pattern without stuffing bits (bulk signal to 0.181)

Content of nonselected containers

- STM-1 PRBS $2^{31}-1$ (framed/unframed as per selected container)

STM-4 signal consists of one VC-n container with

- Framed or unframed PDH test pattern
- Test pattern without stuffing bits (bulk signal to 0.181)
- Three VC-4 containers each filled with a fixed pattern of 11100110

STM-16 signal consists of VC-n containers with

- Framed or unframed PDH test pattern
- Test pattern without stuffing bits (bulk signal to 0.181)

SDH Anomaly and Defect Insertion

Defect generation

Static ON/OFF

Anomaly generation

Single or at a continuous error ratio of 1×10^{-n} (where the range of n is as indicated below)

Payload

Bit errors (TSEs) $n = 2-9$

Anomalies

| | |
|----------------------------|------------|
| B1, B3 | $n = 4-9$ |
| MS-REI | $n = 3-10$ |
| LP-REI, LP-BIP (except C4) | $n = 3-10$ |
| B2 | $n = 3-9$ |
| HP-REI | $n = 4-10$ |

SDH Anomaly/Defect Burst Generation

Anomalies (injected in n consecutive frames every m frames or seconds)

B1, B2, MS-REI, B3, HP-REI, LP-BIP, LP-REI

Defects

LOS, LOF, RS-TIM, MS-AIS, MS-RDI, AU-LOP, AU-AIS, HP-UNEQ, HP-RDI, HP-TIM, HP-PLM, TU-LOP, TU-AIS, TU-LOM, LP-UNEQ, LP-RDI, LP-TIM, LP-PLM, LP-RFI

SDH Error and Alarm Detection

Error types

B1, B2, B3, MS-REI, HP-REI, LP-REI, TSE, LP-BIP, PDH, FAS-45, FAS-34, FAS-2, FAS-1.5, REI-45, CPBIT, EBIT-2, CRC-2, code errors (2 Mbps, 45 Mbps), HP-IEC, LP-IEC, HP-OEI, HP-TC-DIFF, HP-TC-REI

Alarm detection

All alarms are monitored and detected simultaneously.

Alarm types

LOS, OOF, LOF, MS-AIS, MS-RDI, RS-TIM, AU-AIS, AU-LOP, AU-NDF, HP-RDI, HP-UNEQ, HP-TIM, HP-PLM, TU-AIS, TU-LOP, TU-LOM, LP-RDI, LP-PLM, LP-UNEQ, LP-TIM, LSS, LP-RFI, PDH-AIS, PDH-RDI

Mappings (to ITU G.707)

The following mappings are provided as standard with the instrument. (For the structure, see Figure 1.)

- C11 mapping (1.5 Mbps)
- C12 mapping (2 Mbps)
- C3 mapping (34, 45 Mbps)
- C4 mapping (140 Mbps)

Test Patterns

Test patterns may be generated and measured for any of the provided bit rates either directly at the SDH interface or within the STM-16/STM-4/STM-1 substructure.

PRBS: $2^{31}-1$, $2^{20}-1$, $2^{23}-1$, $2^{31}-1$, $2^{31}-1$ inv, $2^{15}-1$ inv, $2^{20}-1$ inv, $2^{23}-1$ inv, $2^{31}-1$ inv, QRSS20

User programmable word 16 bits

Overhead Evaluation and Generation

SOH and POH evaluation

Display of complete SOH and POH in hex, binary, and ASCII formats.

Text decode of S and C bytes for the trace identifier.

J0 display of 16 byte ASCII sequence.

J1 and J2 display of 16 or 64 byte ASCII sequence.

SOH and POH generation

The content of all bytes, with the exception of A1/A2, B1/B2/B3, and H1 to H4, is programmable with any byte.

– Selectable synchronization messages (S byte)

– Selectable signal labels (C byte)

– Trace identifier

– J0 programmable 1 byte hexadecimal or 16 byte ASCII sequence with CRC

– J1 and J2 programmable 16 byte ASCII sequence with CRC or 64 byte ASCII sequence

Pointer Analysis and Generation in AU/TU

Pointer analysis

Current pointer values displayed

Displays counts of:

– Pointer increments and decrements, sum and difference

– New data flags (NDFs)

– Average deviation (in ppm) of AU and TU

User selectable recording of pointer events into the event log.

Pointer generation

Generation of pointers by:

– Single pointer

INC or DEC or INC/DEC

Frame rate: 100 to 8000

Receive K-Byte Capture

Captures K1 and K2 bytes

Capture trigger criteria: user selectable

Tandem Connection Monitoring (TCM)

Monitoring

Analysis of N1 and N2 bytes

Monitoring/display of:

TC-IEC, TC-AIS, TC-REI, TC-OEI, TC-UNEQ, LTC, TC-AIS, TC-RDI, TC-ODI, TC-REI

Online display of TCM access point identifier

TCM error measurement

Incoming B3/computed BIP comparison

Generation

Generation of N1 and N2 bytes

To create:

TC-IEC, TC-AIS, TC-REI, TC-RDI, TC-OEI, TC-ODI, TC-UNEQ

Signal Frequency Measurement

Receive signal frequency is displayed and deviation from nominal shown in ppm.

Resolution 0.1 ppm

Technical Specifications-PDH

PDH Operating Modes

- Terminated Mode
- In-line Monitor Mode
- Intrusive Thru Mode (E1 only)

PDH Output Signals

Signal structures

- Unframed test pattern
- Framed test pattern (to ITU-T O.150)

Frame types

- 1544 Kbps unframed/framed (SF, ESF)
- 2048 Kbps unframed/framed G.704 CAS PCM31, PCM3CRC, PCM30, PCM30CRC
- 34368 Kbps unframed/framed G.751, G.832
- 44736 Kbps unframed/framed C-parity, M13
- 139264 Kbps unframed/framed G.751

PDH Anomaly and Defect Insertion

Payload

Bit errors (TSEs) n=2-9

Defect generation

Static ON/OFF

Defect types

AIS, LOF, RDI, LOS, Yellow (1.5, 45 Mbps), Idle (45 Mbps only), DS1 code error inject, DS3 error code/PVP analysis

Anomaly generation

Single or at a continuous error ratio of 1×10^{-n} (where the range of n is as indicated below)

Anomaly types

| | |
|--------------------------------|----------|
| FAS | n = 3-10 |
| EBIT (framed 2 Mbps only) | n = 3-10 |
| CODE (framed 2 Mbps only) | n = 3-8 |
| CRC (framed 2 Mbps ESF only) | n = 3-9 |
| CRC (framed 1.5 Mbps ESF only) | n = 3-9 |
| P-BIT (framed 45 Mbps only) | n = 4-8 |

PDH Error and Alarm Detection

Error types

MS-REI, HP-REI, LP-REI, TSE, LP-BIP, PDH, FAS-45, FAS-34, FAS-2, FAS-1.5, REI-45, CPBIT, EBIT-2, CRC-2, code errors (2 Mbps, 45 Mbps), HP-IEC, LP-IEC, HP-OEI, HP-TC-DIFF, HP-TC-REI

Alarm detection

All alarms are monitored and detected simultaneously.

Alarm types

LOS, OOF, LOF, MS-AIS, MS-RDI, RS-TIM, AU-AIS, AU-LOP, AU-NDF, HP-RDI, HP-UNEQ, HP-TIM, HP-PLM, TU-AIS, TU-LOP, TU-LOM, LP-RDI, LP-PLM, LP-UNEQ, LP-TIM, LSS, LP-RFI, PDH-AIS, PDH-RDI, Yellow (1.5, 45 Mbps only), Idle (45 Mbps only)

Test patterns

Test patterns may be generated and measured for any of the provided bit rates either directly at the PDH interface or within the STM-16/STM-4/STM-1 substructure.

PRBS: $2^{11}-1$, $2^{15}-1$, $2^{20}-1$, $2^{23}-1$, $2^{31}-1$, $2^{11}-1$ inv, $2^{15}-1$ inv, $2^{20}-1$ inv, $2^{23}-1$ inv, $2^{31}-1$ inv, QRSS20

User programmable word 16 bits

Signal Frequency Measurement

Receive signal frequency is displayed and deviation from nominal shown in ppm.

Resolution 0.1 ppm

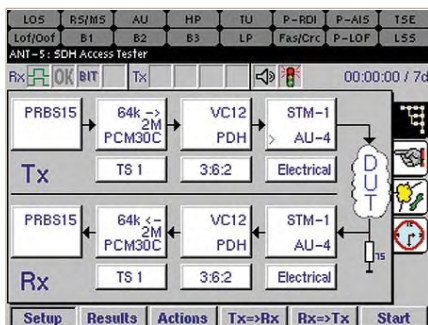


Figure 7: SDH signal structure page

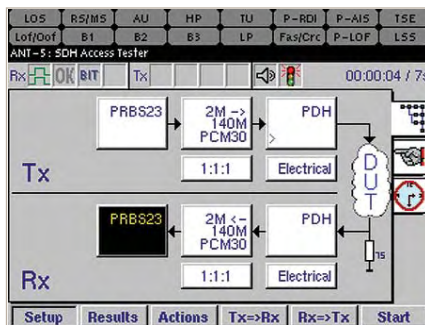


Figure 8: PDH signal structure page

Technical Specifications-ATM

ATM (Option) 4565/93.54

For testing of ATM services carried over PDH, SDH, and SONET
 – Tests ATM over DS1, E1, E3, DS3, E4, VC-4/OC-12 and VC4c/OC-12c, STS-1 SPE

Operating Modes

- Terminated Mode
- In-line Monitor Mode
- Intrusive Thru Mode (E1 only)

ATM Interfaces

Signal structures for all bit rates

- Unframed test pattern
- Framed test pattern

Frame types

- 1544 Kbps unframed/framed (SF, ESF)
- 2048 Kbps unframed/framed G.704 CAS, 30/31 channels with/without CRC
- 34368 Kbps unframed/framed G.751, G.832
- 44736 Kbps unframed/framed C-parity, M13
- 139264 Kbps unframed/framed G.751

ATM Layer Traffic Generation

Traffic generation

1 foreground, 1 background channel

| | |
|---------------------------|----------------------------|
| Interface | UNI/NNI according to 1.361 |
| Payload scrambling | Enable/Disable |
| Rate adaption by stuffing | Idle/Unassigned |

Traffic profile

| | |
|-------------------|--------------------------------|
| Traffic selection | Cell(s), % |
| Type | CBR, VBR (specifying PCR, SCR) |

ATM test cells

Full cell header editing including:

| | |
|------|------------|
| VPI | 0 to 255 |
| VC I | 0 to 65535 |
| GFC | 0 to 15 |
| CI | ON/OFF |
| CLP | 0/1 |

Payload type foreground channel:

- AAL-0 filled with test pattern
- 0.191 test cell format (1995, 1997)

ATM Layer Traffic Analysis

ATM cell analysis

Analysis of ATM cells according to OAM cell analysis for VC/VP AIS and RDI

Filter function for:

| | |
|-----|------------|
| VPI | 0 to 255 |
| VCI | 0 to 65535 |
| CLP | 0/1 |

ATM link and channel statistics

Counts on link parameters:

Total, Load, Idle/Unassigned, CLP = 1, OAM

Counts on ATM channel/path under test (filtered VCI, VPI):

Total, CLP = 1, OAM

0.191 QoS measurements

Reported anomalies:

Cell Loss, Cell Error, Cell Mis-insertion

Reported delay results:

Min CTD, Max CTD, Mean CTD, 2-pt CDVpp

ATM Channel Explorer

Automatic detection of active VCIs/VPIs with the user-defined range.

The results are listed in tabular form.

Test patterns

Test patterns may be generated and measured for any of the provided bit rates either directly at the ATM interface or within the STM-16/STM-4/STM-1 substructure.

PRBS: 2¹¹-1, 2¹⁵-1, 2²⁰-1, 2²³-1, 2³¹-1, 2¹¹-1 inv, 2¹⁵-1 inv, 2²⁰-1 inv, 2²³-1 inv, 2³¹-1 inv

User programmable word 16 bits

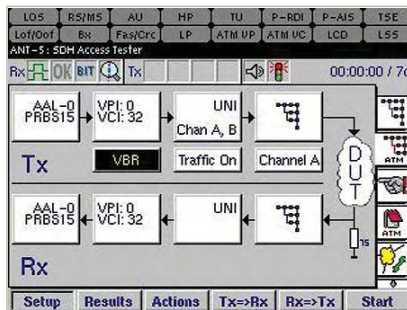


Figure 9: ATM signal structure

ATM Anomaly and Defect Insertion

ATM anomaly generation

Single injection

ATM anomaly types

The following anomalies can be generated:

HUNC, HCOR, Cell Error, Cell Loss

ATM defect generation

Static ON/OFF

ATM defect types

The following defects can be injected:

VC-AIS, VC-RDI, VP-AIS, VP-RDI

ATM Anomaly and Defect Detection

ATM LED indicators

The following status LEDs at the top part of the display will directly reflect the most critical ATM alarms/defects:

ATM VP, ATM VC, LCD, LSS

ATM anomaly detection

The following anomalies will be detected and shown with the results pages (Anomaly Count, Graphs, Event Log):

HUNC, HCOR

ATM defect detection

The following ATM defects will be detected and listed either in tabular form with the defect panel or graphical form with the Graph (defects) page:

LCD, CTM, VC-AIS, VC-RDI, VP-AIS, VP-RDI

The screenshot shows the 'Channel Explorer' window in the software. It has a 'Go to:' section with input fields for VPI and VCI. Below it is a table with columns for VPI, VCI, and Time. The table lists several entries:

| VPI | VCI | Time |
|-----|-----|----------|
| 0 | 0 | 05:45:21 |
| 0 | 32 | 05:45:23 |
| 0 | 64 | 05:45:25 |
| 0 | 128 | 05:45:27 |
| 1 | 32 | 05:45:28 |
| 1 | 64 | 05:45:31 |
| 1 | 128 | 05:45:32 |
| 2 | 32 | 05:45:33 |
| 2 | 64 | 05:45:35 |

Below the table, there are 'VPI Range' and 'VCI Range' sections with input fields for ranges like '0 ... 255' and '0 ... 65535'.

Figure 10: ATM Channel Explorer

Technical Specifications- Measurement Selection

Measurement Selection

The ANT-5 offers direct selection of the following measurement tasks:

- Performance Analysis
- Repetitive BERT
- Automatic Protection Switching (APS)
- OH-Capture (SDH only)
- Delay (RTD)
- Tributary Scan (SDH only)

Performance Analysis

ITU-T Recommendation G.821

ES, EFS, SES, DM, and UAS are evaluated. Pass/fail assessment is based on line length allocation of 1 to 100%. Evaluation for higher bit rates (up to 140 Mbps) is obtained using a multiplex factor as per annex D of G.821. Measurements can be made using the following events: bit errors (TSEs), FAS-2, CRC-4, E bit, code errors (2 Mbps), FAS-34, and FAS-140

ITU-T Recommendation G.826

EB, BBE, ES, EFS, SES, and UAS are evaluated. Pass/fail assessment is based on line length allocation of 1 to 100%. The SES and UAS thresholds can be set by users.

In-service measurement (ISM)

Simultaneous in-service measurement of the near end and far end of a selected path. Measurements can be made using the following events: RSOH B1, MSOH B2, HP B3, FAS-140, FAS-34, FAS-2, CRC, code errors (2 Mbps), and LP-BIP.

Out-of-service measurement (OOS)

Out-of-service measurement using bit errors in the test pattern (for PDH and SDH).

ITU-T Recommendation G.828 Results

ES, EFS, SES, BBE, SEP, and UAS are evaluated. Pass/fail assessment is based on path allocation of 1 to 100%. The SES and UAS thresholds can be set by users.

Hierarchy

RSOH B1, MSOH B2, HP B3, LP-BIP, TSE

ITU-T Recommendation G.829

ES, EFS, SES BBE, and UAS are evaluated. The SES threshold can be set by users.

Hierarchy

RSOH B1, MSOH B2, TSE

ITU-T Recommendation M.2100

ES, EFS, SES, and UAS are evaluated. Pass/fail assessment is based on line length allocation of 1 to 100%. The UAS and BISO (bringing into service objectives) thresholds can be set by users.

PDH systems

Measurements can be made using the following events: TSE, FAS-1.5, FAS-2, FAS-34, FAS-140, CRC, and code errors (2 Mbps)

ITU-T Recommendation M.2101

ES, EFS, SES, BBE, SEP, and UAS are evaluated. Pass/fail assessment is based on line length allocation of 1 to 100%. The UAS and BISO (bringing into service objectives) thresholds can be set by users. ISMs can be performed simultaneously for the near end and far end of a selected path.

Measurements can be made using the following events:

TSE, LP-BIP, HP-B3, MSOH-B2, and RSOH-B1

Repetitive BER Test

- BER evaluation over a user-definable period of 1-99 seconds
- Automatically repeating feature
- Progress bar displays the current test period
- Large character display of BER result

Auto Protection Switching (APS)

Operates on SDH and PDH interfaces (2 M)

Trigger criteria MS-AIS, AU-AIS, TU-AIS, or bit error service disruption*

Pass/fail time limits 10 to 2000 ms

Resolution 1 ms

*Definition of service disruption:

Measurement starts with any of the following events:

TSE, AIS, LOF, or LOS

Measurement stop trigger Last event

Overhead Byte Capture (SDH only)

Byte capturing with number and time frame recognition for linear and ring structures.

Trigger source K1, K2 byte

Trigger criteria Manual, Compare, Compare Not

Delay (RTD)

Resolution ±1 µs

Except for:

E1 PDH ±100 µs

E1 SDH VC-12 ±100 µs

E2 (within PDH E3 or E4) ±10 µs

VC-11/-12 bulk ±10 µs

Measurement range 10 s

VC-12 Tributary Scan (SDH only)

Enables sequential BER testing of C12 channels using configured test pattern. Automatically scans selected VC-12 containers for defects and anomalies.

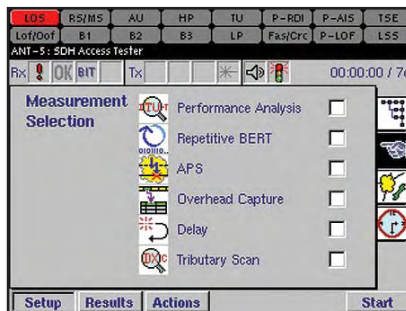


Figure 11: Measurement selection

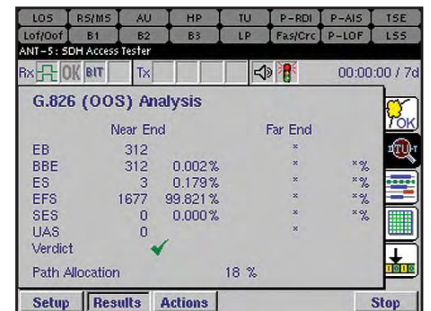


Figure 12: G.826 performance analysis

General Specifications

Display/Language/Timer

Display

Color TFT LCD screen

Resolution 320 x 240 pixels

Languages

The user interface can be displayed in the following languages: English, German, French, Italian, Spanish, Portuguese, and Chinese

Measurement timer

Variable 1 second to 99 days

Measurement start Manual or delayed start timer

Measurement stop Manual or automatic timer

Display of elapsed time hh:mm:ss

Peripheral Interface

Ethernet communication port

RJ-45 Connector, 10BaseT, TCP/IP

Compact Flash Card

Compact Flash card slot Type I and II

Result/Event Presentation

Alarm notification

Most important anomalies and defects are indicated via LEDs, on-screen graphic icons, and via an audio beeper.

LED event history

On screen soft LEDs and defect panel alarms can be set to display historical events. These are displayed in yellow to easily distinguish them from current alarms that are displayed in red.

OK summary display

Display of large "OK" for error-free circuits for fast and simple installation checks. Upon detection of any anomaly or defect, the "OK" is removed and replaced with a hierarchical list of events, allowing for the easy diagnosis of problems. Display of signal structure with BER or BLER displayed simultaneously.

Defect panel

On-screen hierarchical LED indication of defects.

Anomaly count

Table of all anomalies with a measured count and ratio.

Event log

Tabular display of time stamped events.

Alarm and error resolution 100 ms

Graphical display/histogram

Display of errors and alarms as bar graphs versus time.

Zoom function allows display resolution of seconds, minutes, hours and days.

Results Storage/Transfer/Printing

Results storage

Results can be stored either with the internal memory or on external memory (Compact Flash card)

Internal memory

Memory capacity up to 10,000 entries (approximately seven days at one entry per minute)

Results export

Results can be exported to PC in .CSV format using V.24, Ethernet (requires remote operation option BN4565/00.60), or a Compact Flash card. These results can be processed using standard PC software, such as Microsoft Excel or Word.

Printer interface/remote interface

– Serial V.24/RS-232

– Parallel using adapter cable K1589

– ASCII printing possible

Printing

Setups and measurement results can be printed using printers compatible with DeskJet, ThinkJet, Epson 9, and Epson 24 printer drivers.

Powering

Power outage function

In the event of an AC line power failure during a measurement, the ANT-5 continues to perform measurements using its internal batteries.

Power supply

AC line voltage using series specific adapter

100 to 240 V

AC line frequency 50/60 Hz

Typical operating time on batteries 3 hours

Safety Classification

Safety class to IEC 1010-1 Part 1 (for connection to SELV only)

Pollution environment degree 2

Installation category II (indoor use)

Temperature Range

Ambient temperature

Nominal range of use +5° C to +45° C

Storage/transport range –20° C to +60° C

Weight and dimensions (L x W x H)

Dimensions 275 mm x 197 mm x 76 mm

Weight 2.2 kg

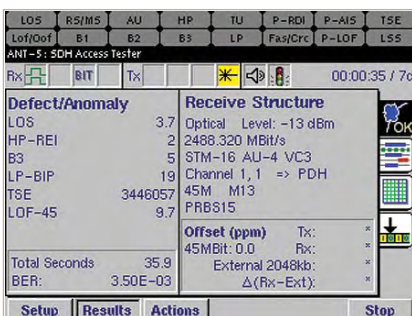


Figure 13: Results page

Options

IMA Monitor BN4563/93.64

For monitoring IMA link with up to 32 channels
Evaluates and displays ICP cell information.

IMA summary:-

| |
|-------------------------|
| IMA Version |
| IMA ID |
| Group State |
| Group Symmetry |
| Frame Length |
| Number of state changes |
| Number of active links |
| CRC Error count |

IMA Link Status

Displays all channels in the link with the associated status message.

SDH AU-3/SONET VT Mapping BN4565/93.53

The AU-3 mapping function enables testing of DS-1, E1, E3 and DS3 tributaries mapped into the STM-1 signal via VC-3/AU-3.

| | |
|-------------|------------------------------------|
| VC-11/TU-11 | 1544 Kbps in STM-1 via TU-11, AU-3 |
| VC-11/TU-12 | 1544 Kbps in STM-1 via TU-12, AU-3 |
| VC-12 | 2048 Kbps in STM-1 via TU-12, AU-3 |
| VC-3 | 34368 Kbps in STM-1 via VC-3, AU-3 |
| | 44736 Kbps in STM-1 via VC-3, AU-3 |

The VT mapping function enables testing of DS-1 and E1 tributaries mapped into an STS-1 SPE via VT-1.5 and VT-2 SPEs (requires option BN4565/93.62 SONET STS-1/STS-3c/OC-12c mapping).

ATM BN4565/93.54

For testing of ATM services carried over PDH, SDH, and SONET.

- Tests ATM over DS1, E1, E3, DS3, E4, VC-4/OC-12 and VC-4c/OC-12c, STS-1 SPE
- Supports ATM traffic selection with time slot 16 in PCM31/PCM31c mode
- CBR and VBR traffic generation
- Full cell header editing
- Cell BER tests
- 0.191 QoS measurements
- ATM link and channel statistics
- OAM cell generation and analysis for VC/VP AIS and RDI
- ATM Channel Explorer

PDH Mux/Demux BN4565/93.58

For testing of legacy PDH/T-carrier systems. Generates structured signals from nx64 Kbps to 140 Mbps.

PDH

| | |
|-------------------------|--|
| Output signal hierarchy | 2, 34, 140 Mbps |
| Structure depth | nx64 Kbps, 2, 8, 34 Mbps |
| | E1 Sa bit Tx generation and Rx display |

T-carrier

| | |
|-------------------------|-------------------------|
| Output signal hierarchy | 1.5, 45 Mbps |
| Structure depth | nx64 Kbps, 1.5, 45 Mbps |
| | (M13 framing) |

Concatenated Mappings BN4565/93.59

Enables measurements of contiguous concatenated signals (STM-4c/-16c)

- VC-4-4c (requires optical interfaces STM-4 or higher)
- VC-4-16c (requires optical interface STM-16)
- STS-12c (requires optical interfaces STM-4 or higher and SONET option)
- STS-48c (requires optical interface STM-16 and SONET option)

SONET STS-1/STS-3c/OC-12c(3) Mapping BN4565/93.62

Enables the generation and receiving of STS-3/OC-3 and OC-12 signals. Transmitter and receiver specifications as defined. Signal structures and measurements as defined for SDH above.

The following mapping is provided:

- 599040 Kbps via STS-12c SPE
- E4 via STS-3c SPE
- DS3/E3 via STS-1 SPE

Remote GUI/Operation BN4565/93.60

Enables the remote operation of the ANT-5 via V.24 or Ethernet from a software emulation of the instrument running on a Windows PC as a remote GUI.

The Remote Operations Client (ROC) supports the following languages, which are user selectable via the main menu:

- English, German, French, Italian, Spanish, Portuguese, and Chinese

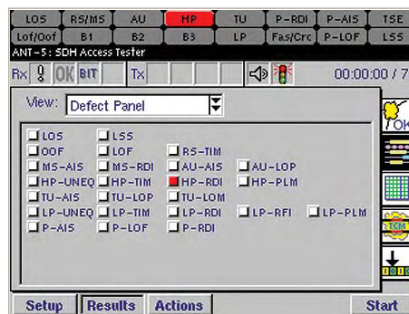


Figure 14: Defect panel view

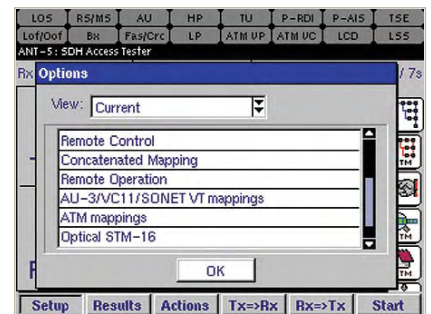


Figure 15: Review current options or install new options


**Remote Control
BN4565/93.61**

Enables the remote control of the ANT-5 over V.24 using an SCPI command set.

**IP-Ping and Trace Route
BN4565/93.65**

The following IP-Stacks are supported:

| | | | | | | | |
|-------------|-------|-------|------|----------|-------|-------------|-------|
| ICMP (Ping) | | | | | | | |
| IP | | | | | | | |
| | | PPPoA | | Ethernet | | | |
| | NLPID | NLPID | SNAP | SNAP | | | PPPoE |
| LLC | LLC | LLC | LLC | LLC | PPPoA | Ethernet II | |
| AAL-5 | | | | | | | |

 = Not a supported stack

Reply-To-Ping

The unit responds to ping request.

IP-Ping

The unit generates IP-Ping requests and supports analysis of the reply. Time to live, number of pings, delay, lost pings.

Trace Route

Reports on the IP route between the tester and the destination device. Tabular results showing Addresses and timings.

**ATM Enhancements
BN4565/93.66**

This option offers significantly extended ATM capability over option 4565/93.54. This includes:

AAL2 & AAL5 Generation and analysis

- Complete cell header editing
- Cell load – VBR/CBR
- Analysis of the channel
- Channel statistics
- Insertion of errors and defects

Channel Traffic

Scans for active VPI/VCI channels and provides detailed information on each channel:

- AAL Type
- Average Cell Rate
- Sustainable Cell Rate
- Peak Cell Rate
- Total Cell Count
- Cell Count CLP=0 & CLP=1
- 1-point Cell Delay Variation
- 1 point Cell Inter-arrival Time

BN4565/93.63

This is a combination option pack that provides 4565/93.64, 4565/93.65 and 4565/93.66 in a single purchase option

**PLCP
BN4565/93.67**

PLCP mapping into DS3 of ATM traffic Reports:-

- REI – PLCP
- FAS – PLCP
- B1 – PLCP
- FEBE – PLCP

Ordering Information

ANT-5 PDH/SDH Access Tester – BN4565/50

| Description | Part number |
|--|--------------|
| Optical options (equipped with FC/PC interface) | |
| Optics STM-1 1310 SR | BN4565/00.01 |
| Optics STM-1 1310SR/1550LR | BN4565/00.03 |
| Optics STM-1/-4 1310 SR | BN4565/91.13 |
| Optics STM-1/-4 1310SR/1550LR | BN4565/00.14 |
| Optics STM-1/-4 1310LR/1550LR | BN4565/91.15 |
| Optics STM-1/-4/-16 1310LR/1550LR | BN4565/91.16 |
| Options (New Build) | |
| Only applicable when ordering with a new unit. | |
| Concatenated Mappings | BN4565/93.59 |
| PDH Mux/Demux | BN4565/93.58 |
| Remote GUI/Remote Operation | BN4565/93.60 |
| Remote Control/SCPI Command List | BN4565/96.61 |
| SONET option (STS-1, STS-3c, OC-12c) | BN4565/93.62 |
| SDH AU-3/SONET VT Mapping | BN4565/93.53 |
| ATM option | BN4565/93.54 |

ANT-5 STM-1 Package

| | |
|---|--------------|
| ANT-5 PDH/SDH Access Tester | BN4565/50 |
| *CF Card (>16 MB) and Adapter | BN4565/00.42 |
| *Neckstrap | BN4562/00.53 |
| *PPS-2 Power Supply | BN4565/00.57 |
| *Power Cord (Select European, US, Australian, UK) | |
| *Operating Manual (Select English, German, French, Italian, Spanish, Portuguese, Chinese) | BN4565/98.xx |
| Optics STM-1 1310SR/1550LR | BN4565/00.03 |
| PDH Mux/Demux | BN4565/93.58 |
| SDH AU-3/SONET VT Mapping | BN4565/93.53 |
| Remote GUI/Remote Operation | BN4565/93.60 |
| Soft Carrying Case | BN4518/00.08 |
| Printer Cable | K1524 |
| Serial to Parallel Printer Cable | K1589 |
| BNC to BNC (2 m) | K169** |
| RJ-48 (M) to 2xCF | K1597 |
| RJ-48 (M) to RJ-48 (M)/(F) | K1599 |
| FC-PC to FC-PC | K1605** |

*Included with the PDH/SDH Access Tester

**When selecting these cables, please order 2 pieces (one is required for Tx and one is required for Rx)

Options (Customer Installed)

Only applicable for upgrades of already delivered units.

Please specify the serial number of the instrument when ordering.

| | |
|--------------------------------------|--------------|
| Concatenated Mappings | BN4565/95.59 |
| PDH Mux/Demux | BN4565/95.58 |
| Remote GUI/Remote Operation | BN4565/95.60 |
| Remote Control/SCPI Command List | BN4565/96.61 |
| SONET option (STS-1, STS-3c, OC-12c) | BN4565/95.62 |
| SDH AU-3/SONET VT Mapping | BN4565/95.53 |
| ATM option | BN4565/95.54 |

Accessories

| | |
|---|--------------|
| *CF Card (>16 MB) and Adapter | BN4565/00.42 |
| *Neckstrap | BN4562/00.53 |
| *PPS-2 Power Supply | BN4565/00.57 |
| *Power Cord (Select European, US, Australian, UK) | |
| *Operating Manual (Select English, German, French, Italian, Spanish, Portuguese, Chinese) | BN4565/98.xx |
| *Included with the PDH/SDH Access Tester | |

Transportation Cases

| | |
|--------------------|--------------|
| Hard Carrying Case | BN4565/00.76 |
| Soft Carrying Case | BN4518/00.08 |

ANT-5 STM-1/-4 Package

| | |
|---|--------------|
| ANT-5 PDH/SDH Access Tester | BN4565/50 |
| *CF Card (>16 MB) and Adapter | BN4565/00.42 |
| *Neckstrap | BN4562/00.53 |
| *PPS-2 Power Supply | BN4565/00.57 |
| *Power Cord (Select European, US, Australian, UK) | |
| *Operating Manual (Select English, German, French, Italian, Spanish, Portuguese, Chinese) | BN4565/98.xx |
| Optics STM-1/-4 1310SR/1550LR | BN4565/00.14 |
| Concatenated Mappings | BN4565/95.59 |
| PDH Mux/Demux | BN4565/93.58 |
| SDH AU-3/SONET VT Mapping | BN4565/93.53 |
| Remote GUI/Remote Operation | BN4565/93.60 |
| Soft Carrying Case | BN4518/00.08 |
| Printer Cable | K1524 |
| Serial to Parallel Printer Cable | K1589 |
| BNC to BNC (2 m) | K169** |
| RJ-48 (M) to 2xCF | K1597 |
| RJ-48 (M) to RJ-48 (M)/(F) | K1599 |
| FC-PC to FC-PC | K1605** |

*Included with the PDH/SDH Access Tester

**When selecting these cables, please order 2 pieces (one is required for Tx and one is required for Rx)

Peripheral cables

| | |
|----------------------------------|-------|
| Printer Cable | K1524 |
| Modem Cable | K1550 |
| Serial to Parallel Printer Cable | K1589 |

Optical Cables (Singlemode, 2 meters)

| | |
|---------------------|---------|
| FC-PC to FC-PC | K1605** |
| FC-PC to SC/PC | K1606** |
| DIN 47256 to FC-PC | K1607** |
| FC-PC to E2000 | K1608** |
| FC-PC to E2000APC | K1609** |
| FC-PC to ST-PC | K1610** |
| FC-PC to Radial VFO | K1611** |
| FC-PC to FC-APC | K1612** |
| FC-APC to FC-APC | K1613** |

Electrical Cable

| | |
|----------------------------|--------|
| BNC to BNC (2 m) | K169** |
| RJ-48 (M) to 2xCF | K1597 |
| RJ-48 (M) to RJ-48 | K1598 |
| RJ-48 (M) to RJ-48 (M)/(F) | K1599 |

**When selecting these cables, please order 2 pieces (one is required for Tx and one is required for Rx)

ANT-5 STM-1/-4/-16 Package

| | |
|---|--------------|
| ANT-5 PDH/SDH Access Tester | BN4565/50 |
| *CF Card (>16 MB) and Adapter | BN4565/00.42 |
| *Neckstrap | BN4562/00.53 |
| *PPS-2 Power Supply | BN4565/00.57 |
| *Power Cord (Select European, US, Australian, UK) | |
| *Operating Manual (Select English, German, French, Italian, Spanish, Portuguese, Chinese) | BN4565/98.xx |
| Optics STM-1/-4/-16 1310LR/1550LR | BN4565/91.16 |
| Concatenated Mappings | BN4565/95.59 |
| PDH Mux/Demux | BN4565/93.58 |
| SDH AU-3/SONET VT Mapping | BN4565/93.53 |
| Remote GUI/Remote Operation | BN4565/93.60 |
| Soft Carrying Case | BN4518/00.08 |
| Printer Cable | K1524 |
| Serial to Parallel Printer Cable | K1589 |
| BNC to BNC (2 m) | K169** |
| RJ-48 (M) to 2xCF | K1597 |
| RJ-48 (M) to RJ-48 (M)/(F) | K1599 |
| FC-PC to FC-PC | K1605** |

*Included with the PDH/SDH Access Tester

**When selecting these cables, please order 2 pieces (one is required for Tx and one is required for Rx)

All statements, technical information and recommendations related to the products herein are based upon information believed to be reliable or accurate. However, the accuracy or completeness thereof is not guaranteed, and no responsibility is assumed for any inaccuracies. The user assumes all risks and liability whatsoever in connection with the use of a product or its application. JDSU reserves the right to change at any time without notice the design, specifications, function, fit or form of its products described herein, including withdrawal at any time of a product offered for sale herein. JDSU makes no representations that the products herein are free from any intellectual property claims of others. Please contact JDSU for more information. JDSU and the JDSU logo are trademarks of JDS Uniphase Corporation. Other trademarks are the property of their respective holders. ©2007 JDS Uniphase Corporation. All rights reserved. 30137246 502 0707 ANT5STM16.DS.ACC.TM.AE

Test & Measurement Regional Sales

| | | | | |
|---|--|---|---|--|
| NORTH AMERICA TEL: 1 866 228 3762 FAX: +1 301 353 9216 | LATIN AMERICA TEL: +55 11 5503 3800 FAX: +55 11 5505 1598 | ASIA PACIFIC TEL: +852 2892 0990 FAX: +852 2892 0770 | EMEA TEL: +49 7121 86 2222 FAX: +49 7121 86 1222 | WEBSITE: www.jdsu.com |
|---|--|---|---|--|